

# UL & WHI LISTED EDGE & ASTRAGAL SETS

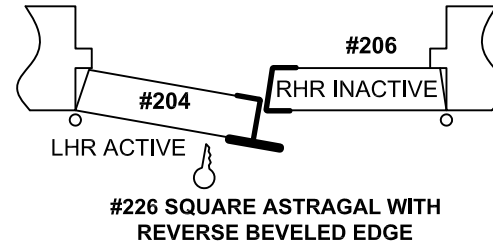
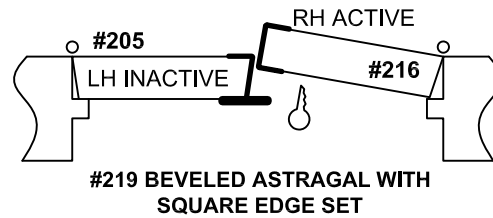
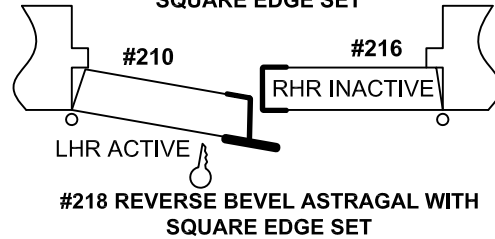
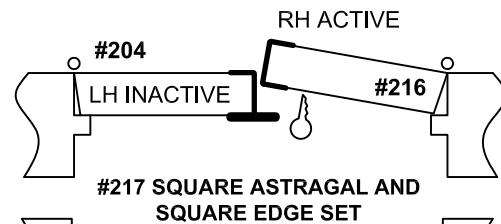
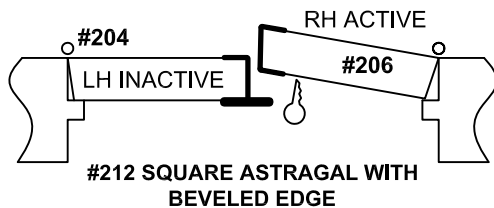
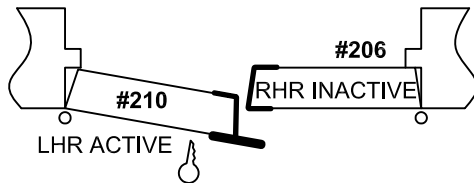
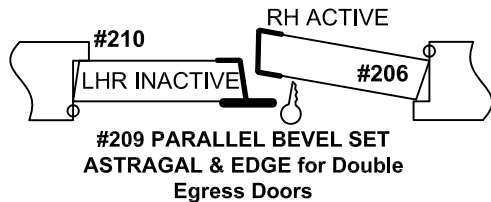
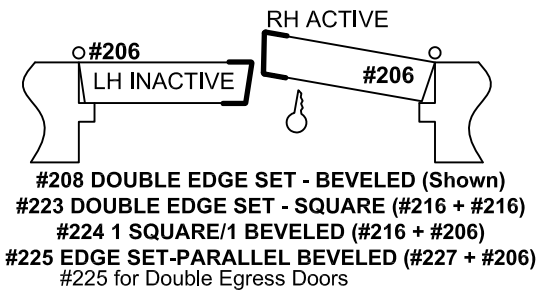
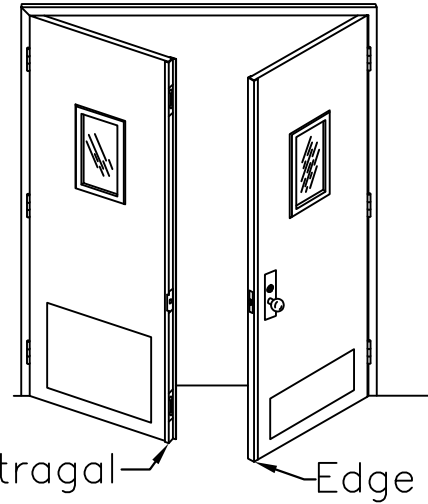
EDGE & ASTRAGAL SETS ARE LISTED TO 90 MIN. UL/WHI.  
 DOUBLE EDGE SETS ARE LISTED TO 90 MIN. UL/WHI.

Listed under both Negative & Positive Pressure Standards.

UL & WHI Listed in Steel and Stainless Steel.

UL Listed with Veneer Wrapping - Negative & Positive Pressure.

WHI Listed with Veneer Wrapping - Negative Pressure ONLY.



## OTHER ITEMS

- \* LEAD LINED ASTRAGALS.
- \* DUTCH DOOR and TRANSOM CHANNELS. #222
- \* DUTCH DOOR SHELVES.
- \* "T", "Z", and FLAT ASTRAGALS.
- \* HINGE EDGE and LOCK EDGE PROTECTORS.
- \* ALUMINUM DOOR FLASHINGS.

- \* Standard finish is beige powder paint.
- \* All bevels are  $\frac{1}{8}$ " in 2".
- \* Punched and coined for #8 X  $\frac{3}{4}$ " Phillips Flat Head Screws (included).
- \* Hole Centers 12" or less,  $3\frac{1}{2}$ " Max. from ends and machined openings.
- \* AMS Machining Templates must be completed for each machined item (forms available on website).
- \* All items available in Stainless Steel.

# ALL METAL STAMPING, INC.

715-223-6324

411 W. Spruce Street, P.O. Box 485

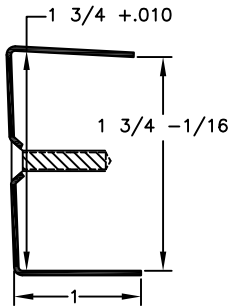
FAX: 715-223-3352

Abbotsford, WI. 54405-0485

## EDGE & ASTRAGAL SPECIFICATIONS

Standard Edges are 20 GA. (.035) CRS

Astragal Flanges are 16 GA. (.062) CRS



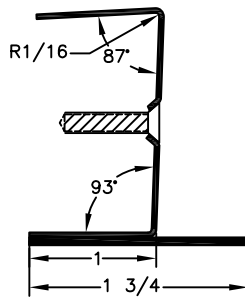
#206 Beveled Edge (shown)

#216 Square Edge (No Bevel)

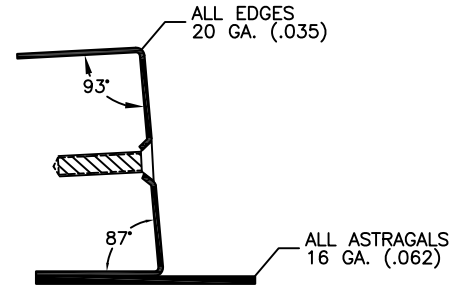
#227 Beveled Edge Machined w/Strike open to low side of bevel.

#231 "L" Shaped Lock Edge Protector - Beveled

#233 "L" Shaped Lock Edge Protector - Square

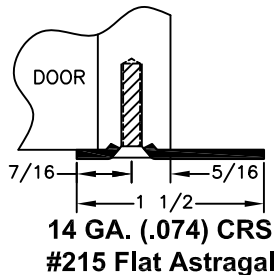
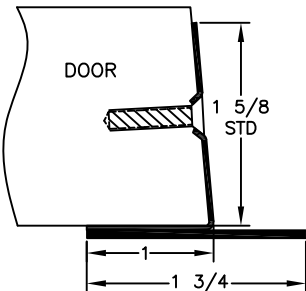


#205 Std. Beveled Astragal



#210 Reverse Beveled Astragal  
#204 Square Astragal (No Bevel)

### "T", "Z" & Flat Astragals No Fire Ratings



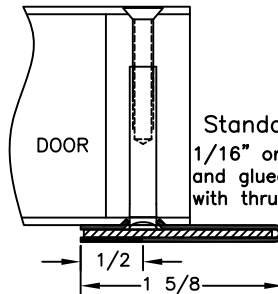
14 GA. (.074) CRS  
#215 Flat Astragal

18 GA. (.048) CRS Edge/16 GA. (.062) Astragal

#229 "T" Astragal - Reverse Bevel (shown)

#213 "T" Astragal - Beveled

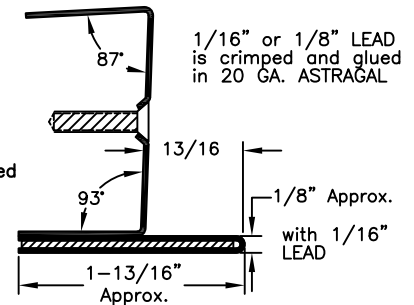
#214 "T" Astragal - Square



18 GA. (.048) CRS Std.

#236 Lead Lined  
Flat Astragal  
(No Fire Ratings)

### Lead Lined Astragals



Lead Lined Astragal #205L Std. Bevel (shown)

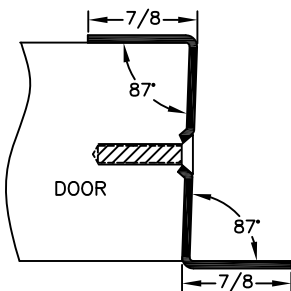
Lead Lined Astragal #204L Square (No Bevel)

Lead Lined Astragal #210L Reverse Bevel

UL Listed to 60 Minutes

WHI Listed to 20 Minutes

Listings apply to Astragal & Edge Sets ONLY



16 GA. (.062) CRS Standard

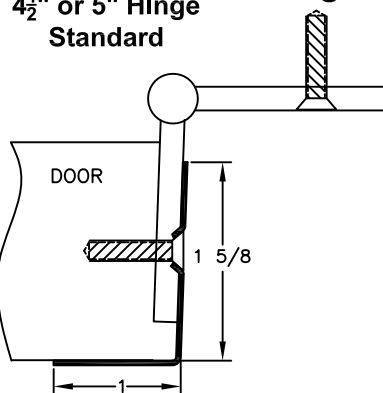
#238 "Z" Astragal - Beveled (shown)

#239 "Z" Astragal - Reverse Bevel

#237 "Z" Astragal - Square

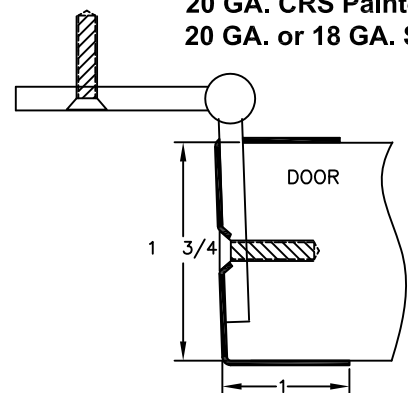
Punchouts For  
4 1/2" or 5" Hinge  
Standard

### Hinge Edge Protectors



#232 "L" Shaped - Beveled

#235 "L" Shaped - Square



#230 "U" Shaped - Beveled

#234 "U" Shaped - Square

Available in:  
20 GA. CRS Painted  
20 GA. or 18 GA. SS